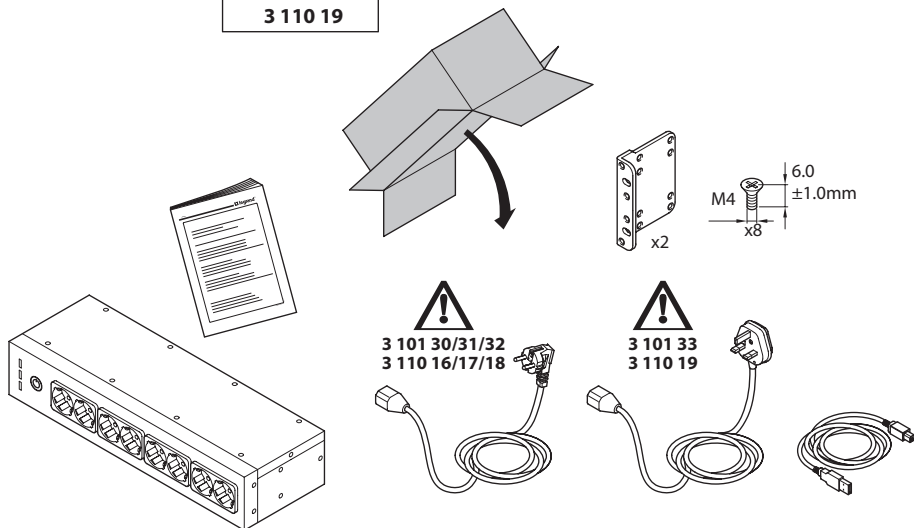
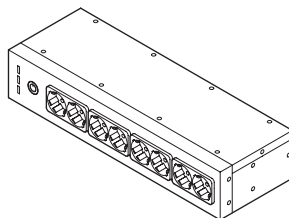
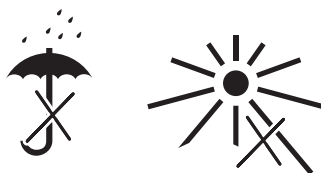


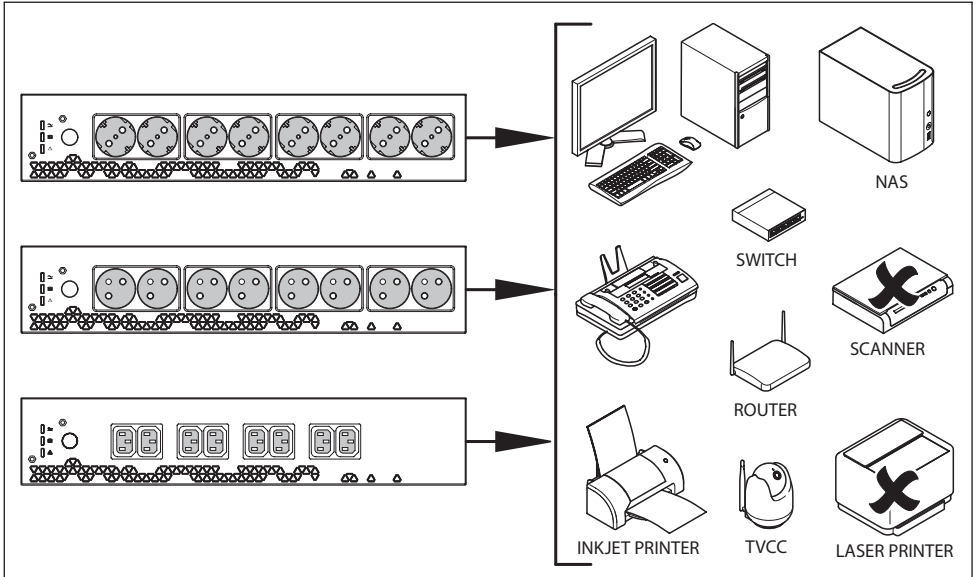
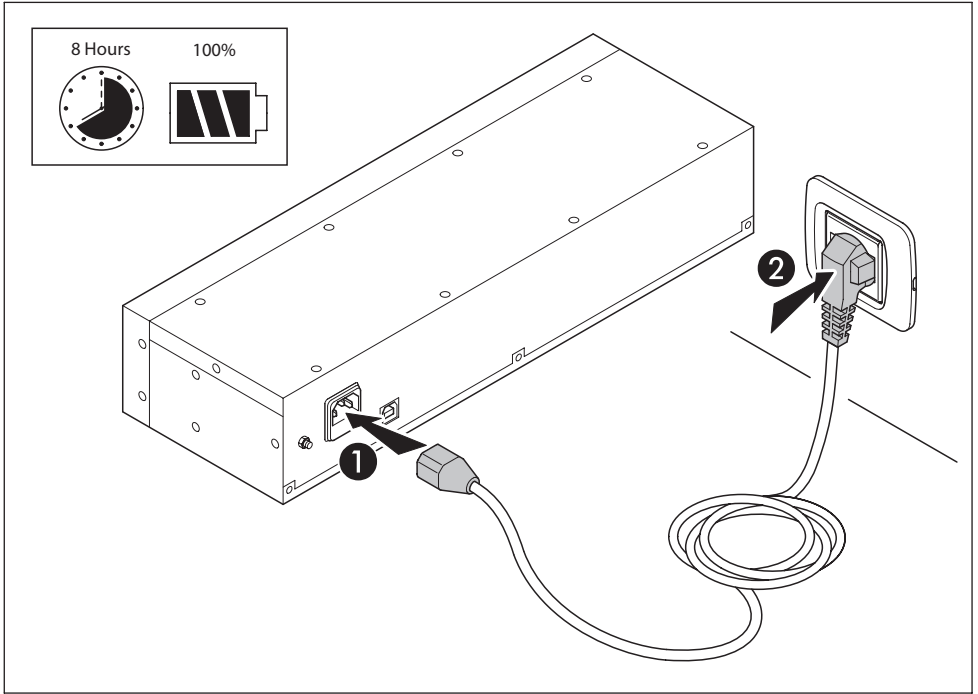


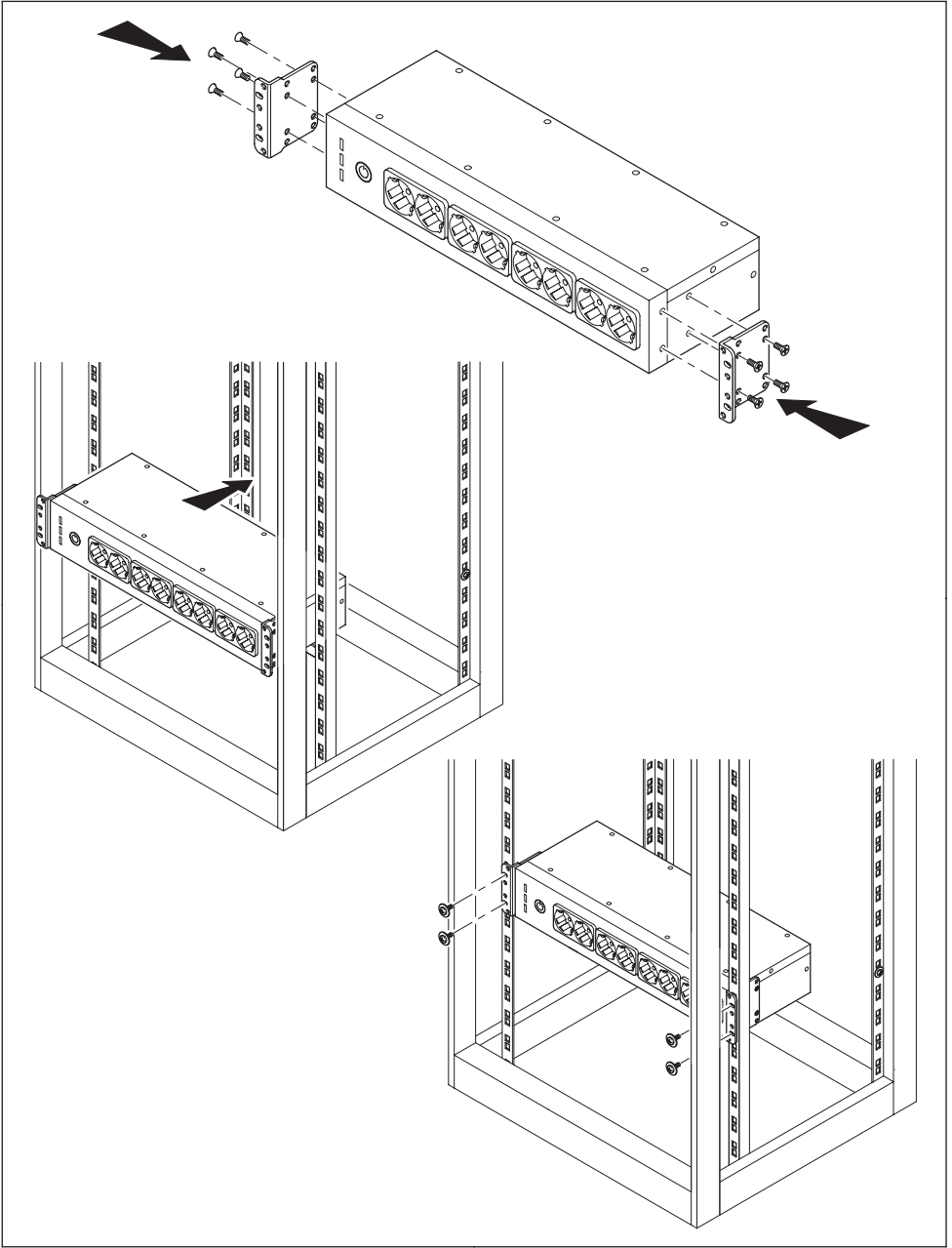
3 103 31	3 103 32	3 103 30
3 103 33	3 110 18	3 110 16
3 110 17		
3 110 19		

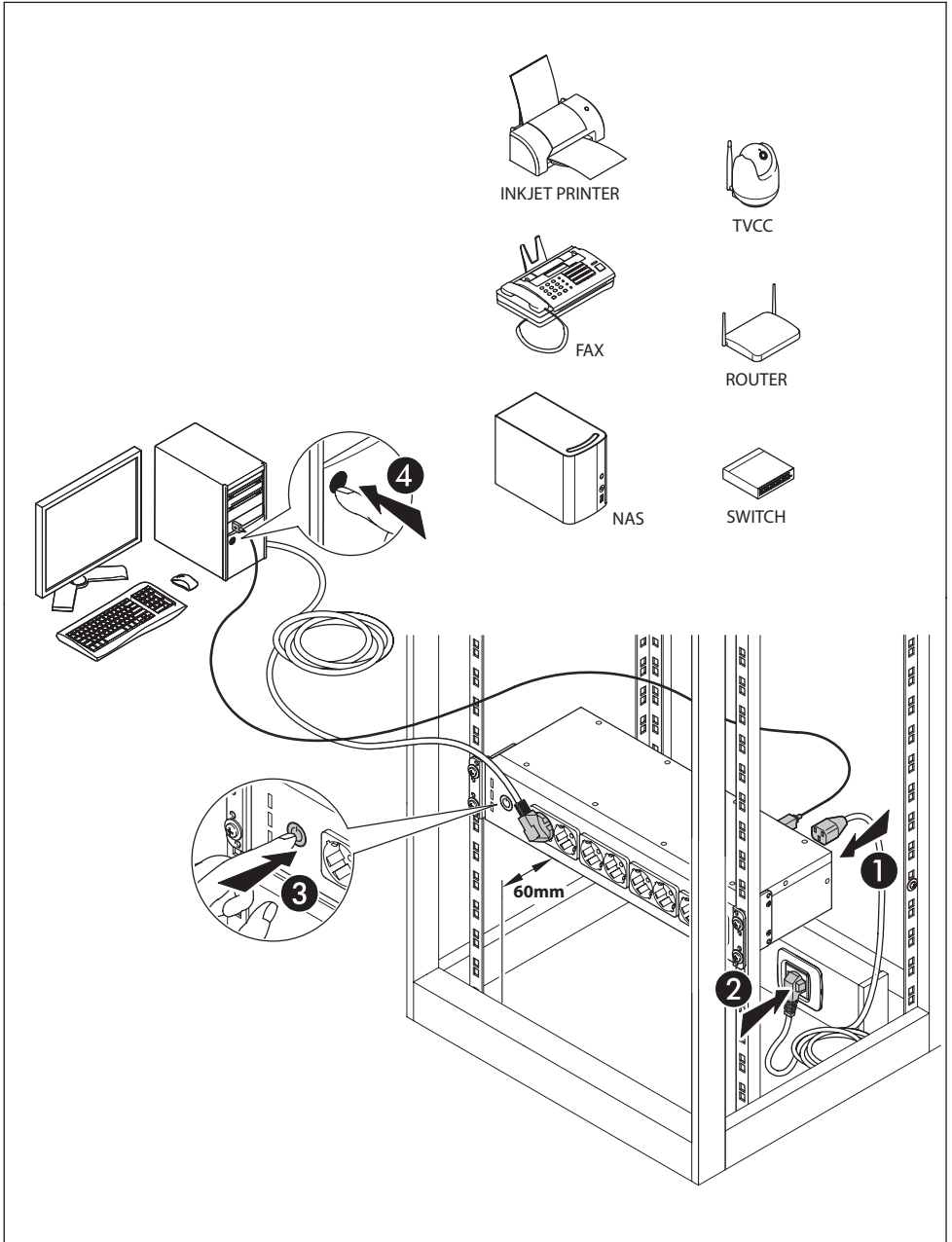


DOWNLOAD MANUALS









	LED - ضوء التنبية - Vert - Green - Verde - Grün Verde - Zielony - Groen Zelena - Прозіво - Zöld Verde - Зеленый - أخضر	LED - ضوء التنبية - Jaune - Yellow - Giallo Gelb - Amarillo - Żółty Geel - Żuta - Кітриво - Sárga Amarelo - Желтый - أصفر	LED - ضوء التنبية - Rouge - Red - Rosso - Rot Rojo - Czerwony - Rood Crvena - Kórkivo - Piros Vermelho - Красный - أحمر	
		-	-	
100% - 75%	-		- 30 s
75% - 50%	-		-	2x 2x 20 s
50% - 25%	-		-	3x 3x 15 s
25% - 10%	-		-	4x 4x 15 s
< 10%	-		-
		-	-
	-	-		

	Voyant fixe - Steady LED - LED Fisso - LED fest leuchtend - LED fijo - Kontrolka LED ze światłem ciągłym - LED brand continu - Stalno svijetleća LED - LED σταθερό - Folyamatós LED - LED fixo - Индикатор постоянно горит - ضوء التنبية ثابت
	Voyant clignotant - Blinking LED - LED Lampeggiante - LED blinkend - LED parpadeante - Kontrolka LED migająca - LED knippert - Treptajúca LED - LED αναβοσβήνει - Villogó LED LED intermitente - Индикатор моргает - ضوء التنبية منقطع
	Avertisseur sonore silencieux - Buzzer Mute - Buzzer Silenziato - Stummges - chalteter Summer - Zumbador silenciado - Wyciszenie brzęczyka - Zoemer stil - Zujalica nije uključena - Σίγαση ήχου Némitás - Alarme Silenciar - Отключить звук - لا يوجد صوت تنبيه
.....	Signal sonore intermittent - Intermittent Sound - Suono Intermittente - Intermittierender Ton - Sonido intermitente - Przerwany sygnał dźwiękowy - Onderbroken geluidssignaal - Isprekidani zvuk - Διακοπτόμενος ήχος - Szakaszos sípolás - Som intermitente - Прерывистый звук - صوت منه منقطع
	Signal sonore continu - Continuous Sound - Suono Continuo - Kontinuierlicher Ton - Sonido continu - Ciągły sygnał dźwiękowy - Ononderbroken geluidssignaal - Kontinuirani zvuk - Συνεχής ήχος - Folyamatós sípolás - Som continuo - Непрерывный звук - صوت منه مستمر



Safety instructions

This section contains important safety instructions that should always be followed during the installation, use and maintenance of the UPS.

GB

- It is mandatory to consult the user manual available on the website <http://ups.legrand.com>
- Ensure that the mains supply voltage and frequency match those of the UPS.
- If any visible damage is found on the product during the unpacking operation, do not install the UPS but repack the unit and return it to your reseller or distributor.
- Before operating the UPS or connecting any load equipment, ensure the UPS is connected to a properly grounded electrical supply.
- The load applied must not exceed the one indicated on the type label of the UPS.
- The ON/OFF button of the UPS does not electrically isolate the internal parts. To isolate the UPS, unplug it from the mains power socket.
- Do not attempt to open or disassemble the UPS; there are no user replaceable parts. Opening the case will void the warranty and introduces the risk of electric shock even when the mains plug is disconnected.
- Make sure the UPS is completely turned off when it is transported.
- The mains socket outlet that supplies the UPS shall be installed near the UPS and shall be easily accessible.
- In case of a mains power supply failure, do not unplug the power supply cable. Earth continuity must be ensured to the connected loads.
- Do not plug non-computer-related items such as medical, life-support and house electric equipment to the UPS output.
- Do not plug laser printers and scanners to the UPS output.
- The UPS has its own internal energy source (battery). If the UPS is switched on when no AC power is available, there is hazardous voltage at the output sockets.
- When installing the equipment, ensure that the sum of the leakage current of the UPS and the connected equipment does not exceed 3.5 mA.
- **The battery inside the UPS is not user-replaceable.** Servicing of batteries must be performed only by electrical hazard authorized personnel.
- **CAUTION:** A battery can present a risk of electrical shock and high short circuit current. The following precautions should be observed when working on batteries:
 - a) Remove watches, rings or other metal objects.
 - b) Use tools with insulated handles.
 - c) Wear rubber gloves and boots.
 - d) Do not lay tools or metal parts on top of batteries.
 - e) Disconnect the charging source prior to connecting or disconnecting battery terminals.
 - f) Determine if battery is inadvertently grounded. If inadvertently grounded, remove source from ground. Contact with any part of a grounded battery can result in electrical shock.

The likelihood of such shock can be reduced if such grounds are removed during installation and maintenance (applicable to equipment and remote battery supplies not having a grounded supply circuit).
 - g) When replacing batteries, replace with the same type and number of batteries or battery packs.
- **CAUTION:** Do not dispose of batteries in a fire. The batteries may explode.
- **CAUTION:** Do not open or mutilate batteries. Released electrolyte is harmful to the skin and eyes. It may be toxic.
- **CAUTION:** Risk of explosion if the battery is replaced by an incorrect type. Dispose of used batteries according to the instructions.
- Replace the input fuse only with the same type and rating to avoid fire hazards.
- The UPS has dangerous high voltages on its input and output connections. Contact with these voltages may be life threatening.
- In case of emergency, immediately turn off the equipment and disconnect the power cord from the AC power supply to disable the UPS.
- Do not allow any liquid or any foreign object to enter the UPS.
- The UPS is intended for indoor installation in a ventilated, controlled indoor environment with a range of temperature between 0°C (+32°F) and +40°C (+104°F) and non-condensing humidity <95%.
- Do not install the UPS in locations with sparks, flames, any other device that may cause sparks, smoke and hazardous gas or where there is water and excessive humidity. Dusty, corrosive, and salty environments can damage the UPS.
- Do not plug the UPS input into its own output.
- Do not attach a power strip or surge suppressor to the UPS.
- Ensure that the cables connecting the loads to the UPS are not longer than 10 meters.
- Do not block ventilation openings. Avoid exposing it to direct sunlight or installing it near heat emitting appliances.
- Unplug the UPS prior to cleaning and do not use liquid or spray detergent.
- Do not place the UPS near equipment that generate strong electromagnetic fields and/or near equipment that are sensible to electromagnetic fields.
- **CAUTION:** The UPS is a category C2 product according to the EN 62040-2. In a residential environment, the equipment may cause radio interference, in which case the user may be required to take additional measures.

